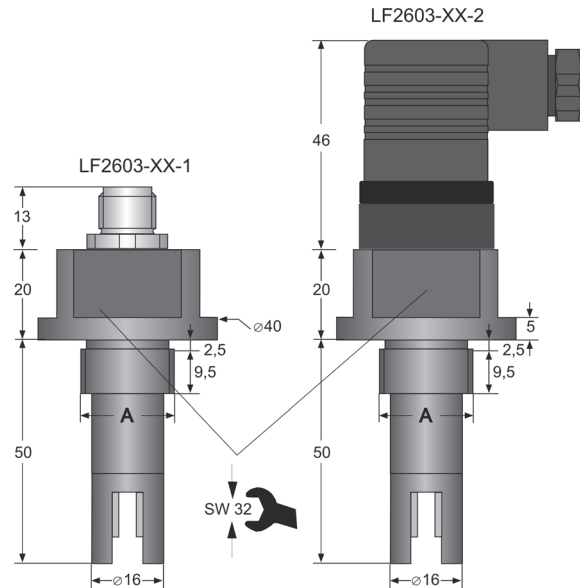
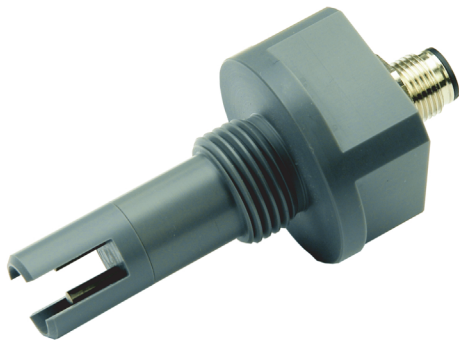


Conductivity Cell LF2603

Dimensions



Characteristics

- 2-electrode conductive flow cell for pipe ultra pure water
- Measuring range 0..20 $\mu\text{S/cm}$ up to 0..100 $\mu\text{S/cm}$

Technical data

Cell constant	: C = 0.5 \pm 3.5%
Operating temperature	: 0..60 °C
Process pressure	: max. 16 bar at 22°C
Process material	: stainless steel (electrodes), PVC-U acc. to DIN8061/8062
Electrical connection	: 4 pole angle plug acc. to EN 175301-803/A, IP65 or 8 pole round connector plug M12x1, IP67
-Material	: brass nickel plated
Temperature measurement	: integrated Pt1000 Sensor DIN IEC751, class A

Ordering code

LF2603 - C0.5 - - -

1. Process connection (A)	
G ½ A	cylindrical thread
R ½	conical thread
G ¾ A	cylindrical thread
R ¾	conical thread
2. Electrical connection	
1	8 pole round connector
2	4 pole angle entry plug
3. Options	
00	without option
03	8 pole round connector plug SS-type

Connection diagram see page Fehler: Referenz nicht gefunden

Additional accessories see page Fehler: Referenz nicht gefunden